



START HERE!

READ ME FIRST

Don't be a hero and muscle through this without first reading these fitting instructions! Improper installation of this gear may void certain aspects of your warranty.

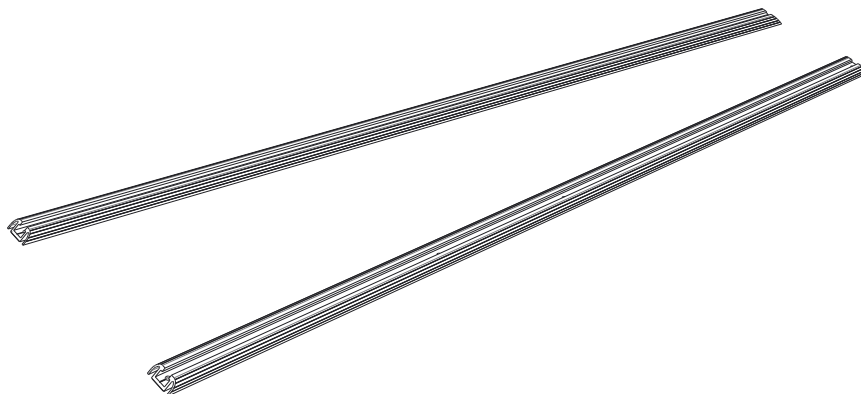
Before you begin, take a moment and open all your Front Runner rack kit boxes and gather the assembly instructions for the various components.

A complete kit will contain:

1. A Front Runner Mounting System specific to your vehicle
2. A Front Runner Rack Tray or Load Bar Slats

This document will guide you through the assembly of the mounting system and assist you in fitting the roof rack tray or load bars to your specific vehicle.

Please refer to the next page for a list of all the components, quantities and tools required.



IMPORTANT WARNING!

IT IS CRITICAL THAT ALL FRONT RUNNER PRODUCTS BE PROPERLY AND SECURELY ASSEMBLED AND ATTACHED TO YOUR VEHICLE. IMPROPER ATTACHMENT COULD RESULT IN AN AUTOMOBILE ACCIDENT, AND COULD CAUSE SERIOUS BODILY INJURY OR DEATH. YOU ARE RESPONSIBLE FOR ASSEMBLING AND SECURING ALL FRONT RUNNER PRODUCTS TO YOUR VEHICLE. CHECKING THE ATTACHMENTS PRIOR TO USE, AND PERIODICALLY INSPECTING THE PRODUCTS FOR ADJUSTMENT, WEAR AND DAMAGE. THEREFORE YOU MUST READ AND UNDERSTAND ALL OF THE INSTRUCTIONS AND PRECAUTIONS SUPPLIED WITH YOUR FRONT RUNNER PRODUCT PRIOR TO INSTALLATION OR USE. IF YOU DO NOT UNDERSTAND ALL OF THE INSTRUCTIONS AND CAUTIONS, OR IF YOU HAVE NO MECHANICAL EXPERIENCE AND ARE NOT THOROUGHLY FAMILIAR WITH THE INSTALLATION PROCEDURES, YOU SHOULD HAVE THE PRODUCT INSTALLED BY A PROFESSIONAL INSTALLER OR OTHER QUALIFIED PERSONNEL.

1

GET ORGANIZED

Here is what you are looking at for TRAC002

IN THE BOX

| | | |
|---|-----|---------------------------|
| 1 | 8 X | M6 x 30 Counter Sunk Bolt |
| 2 | 2 X | 1400mm Roof Track |
| 3 | 2 X | 1400mm Protective Trim |
| 4 | 8 X | M6x30x1 Flat Washer M6 |
| 5 | 8 X | Nyloc Hex Nut |

TOOLS NEEDED

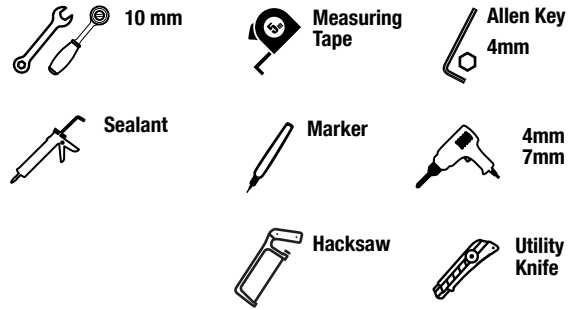
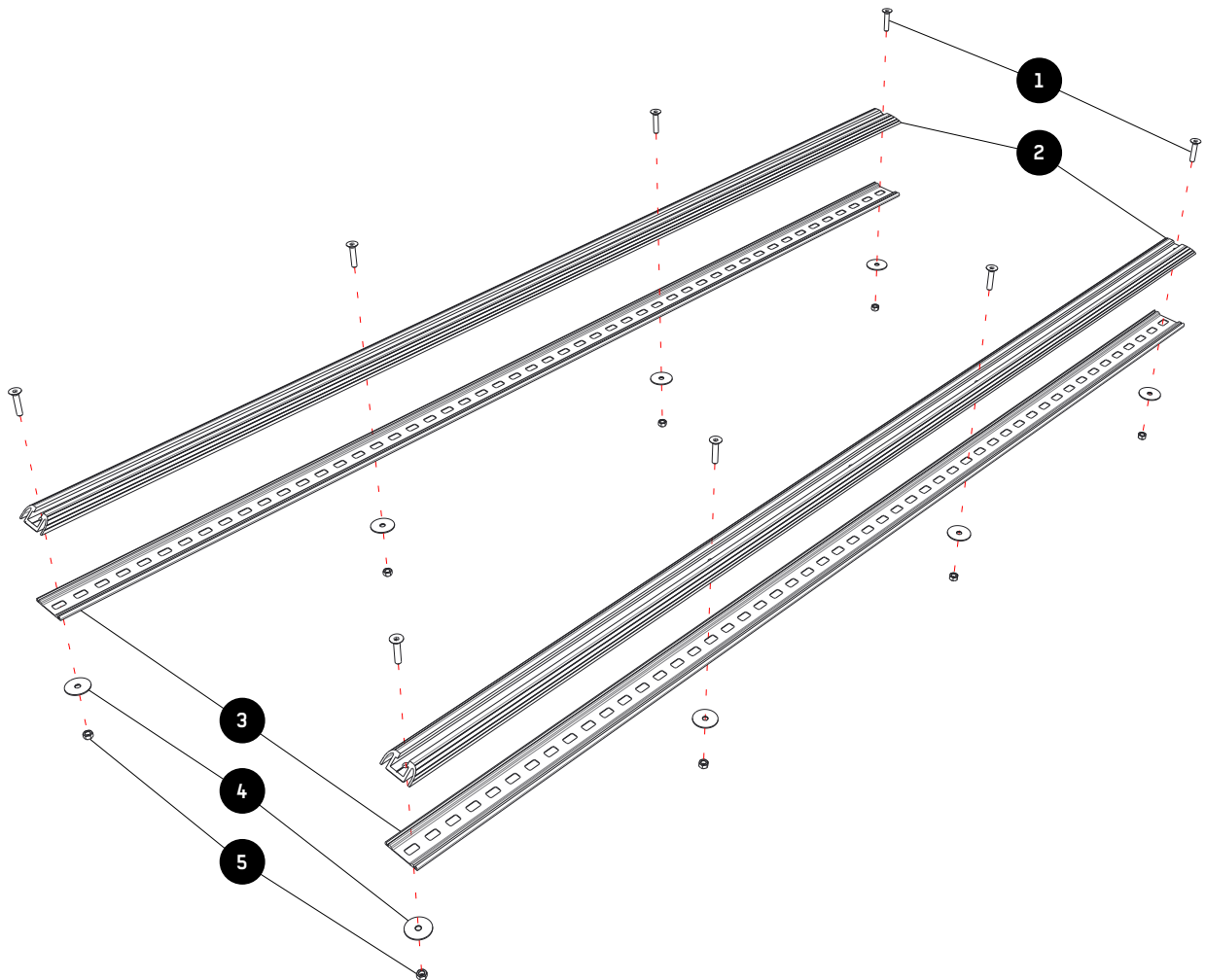


FIGURE 1.1



2

FIT AND SECURE

2.1

Remove the vehicles' interior head lining and factory fitted roof rails if fitted. Determine best possible position for mounting the tracks. Positioning over the ditch molding is preferred and take care not to drill into or through any reinforcements. Measure and trim the tracks to the desired length.



2.2

Once you are happy with the placement of the track, mark all the holes using a suitable marking pen.



2.3

Drill a 4mm pilot hole and then open up the pilot hole with a 7mm drill bit. Take care when drilling.



2.4

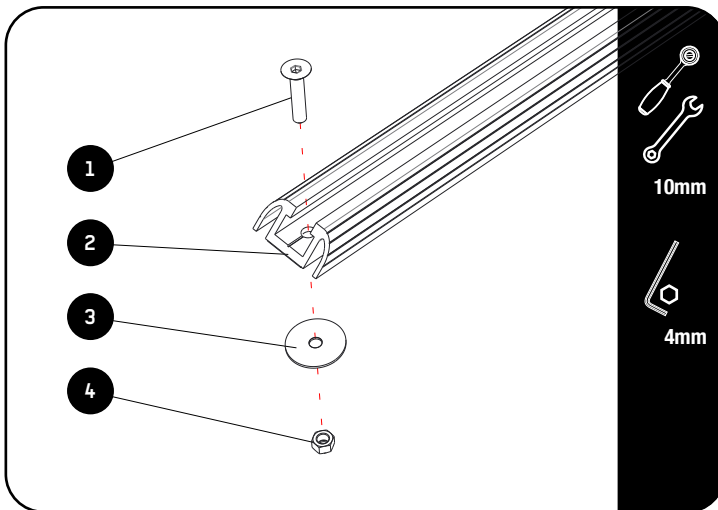
Peel off the double sided tape backing from the tracks (Item 2) and apply the protective rubber trim (Item 3). Remove the excess with a craft knife.

2.5

Apply a bead of suitable sealant to each hole drilled in step 2.3



2.6



Fit and secure the tracks with the supplied fasteners. (Items 1, 4 and 5)

Reinstall vehicles interior head lining removed in step 2.1

4

COMPLETION

Congratulations. You did it. Take a step back and admire your work!

5

INSTALL OTHER VEHICLE AND RACK ACCESSORIES

Now's the time to visit your favorite Front Runner Dealer in person or Online.