



INSTALLATION INSTRUCTIONS

OPTIMUS

UNIVERSAL LED DRIVING LIGHT

Installation Instructions & User's Manual



About The Optimus LED Light Kit:



FEATURES

1. High strength adjustable trunnion mount.
2. Single 10 watt LED produces 883' of usable light.
3. Integrated electronic thermal management (ETM).

OPTIMUS KIT SERIES SPECIFICATIONS

1. Warranty : Extended
2. Amp Draw : 1.67A @ 12V DC
3. Input Voltage : 9-32V DC
4. Beam Patterns : 10°, 20°, 60° Snap-On Filters Available
5. LED Lifespan : 50,000 Hours

PREPARATION

1. We recommend completely reading instructions before installing.
2. Consult your local state regulatory agency regarding the use of LED lighting.
3. The placement of LED lighting should not restrict airflow to the radiator, or block head lamps, turn signals, or parking lights.

MAINTENANCE

1. All Vision X models have been designed for maintenance free use. In the case an LED lamp or other part replacement is needed please contact your authorized service center.

OPTIMUS LED LIGHT KIT

OPTIMUS
UNIVERSAL LED DRIVING LIGHT

1 Optimus



LIGHT Qty: 2

2 Two Light Harness



WIRING Qty: 1

3 Hex Head Bolt [M8]



PART (B1) Qty: 2

4 Allen Key [5mm]



PART (A1) Qty: 2

5 Washer [M8]



PART (W1) Qty: 2

6 Nylock Nut [M8]



PART (N1) Qty: 2

WARNINGS

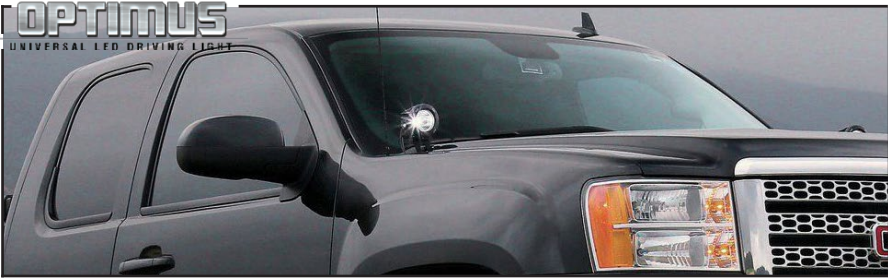
As with many other high-tech products, this VISION X LED requires a bit of attention before you can use it. Please read the accompanying information carefully first.

1. Don't stare directly into the light or shine directly into the eyes of another person as this may cause temporary loss of vision.
2. Never disassemble the products, as all parts must be factory serviced to insure proper operation.
3. Don't interchange the parts inside this light with other products.
4. The LED light is to be mounted on the vehicle only in a vertical, bottom mounting, or in a suspended position.
5. After turning on the light, the body might be hot enough to warrant a burn risk. Be careful when you touch the body after turning on the light for a long period of time.
6. Use the supplied wire harness for electrical installation.
7. The LED light must not adversely affect the performance of low beam, high beam, engine cooling or the driver's view.

VISION X



OPTIMUS
UNIVERSAL LED DRIVING LIGHT



WIRING INSTALLATION INSTRUCTION

1. Find a suitable place to mount Relays Part (R1 & R2) leaving enough room for Power & Ground wires Part (W1,W2,W3,W4) to reach the battery & the Deutsch connectors Part (C1 & C2) to reach the lights. Mount Relays.
2. Run Power wires (W1, W3) & Ground wires (W2 , W4) to the battery. Connect the Power wires (W1 , W3) to the Positive (+) battery terminal and connect the Ground wire (W2 , W4) to the Negative (-) Battery Terminal.
3. Run the Deutsch Connector wiring, (C1 & C2) to each light and plug in. It doesn't matter which Deutsch Connector plugs into which light.
4. Disconnect the Switch Part (S1) at the white Plug Part (P1) and run the wire through the vehicles fire wall to desired mounting location inside the Cab, [using a factory rubber or plastic grommet is suggested].
5. Drill the hole to the required size for the Switch (S1) and mount to desired position.
6. Reconnect the Switch (S1) to the Harness.
7. Test Light.

DIMMING FUNCTION

Your light is capable of dimming through the Prime Drive wire on the light's plug. To achieve this requires our authorized accessories, the XIL-PDIMMER, or XIL-PDIMMERBUTTON.

Do Not connect the Prime Drive wire without authorized accessories as this will damage the electronics.

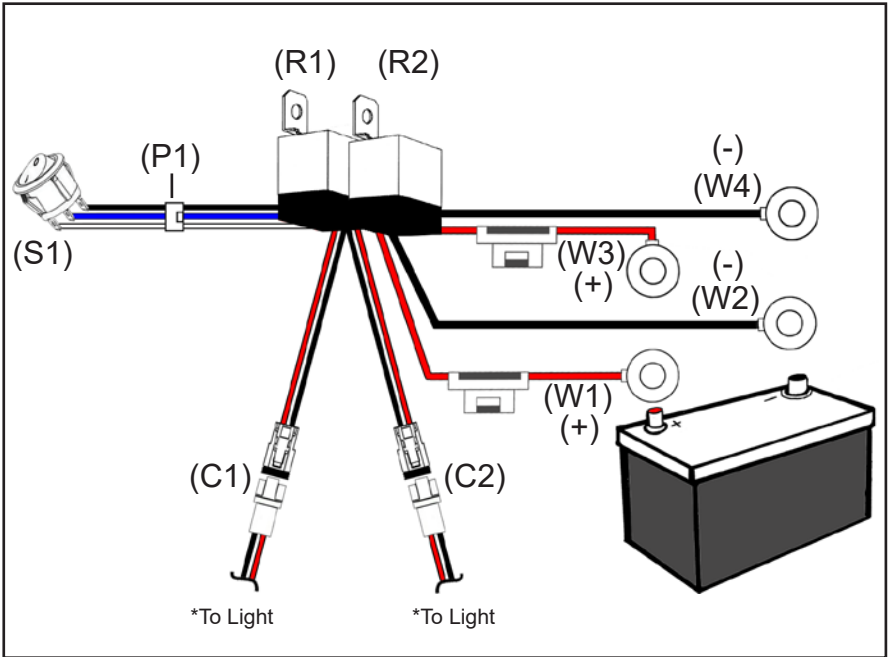
MANUFACTURER RECOMMENDATION

For those unfamiliar with electrical wiring on vehicles, Vision X recommends that all LED Lighting products are professionally installed.

OPTIMUS LED LIGHT KIT



WIRING DIAGRAM:



COMPONENTS KEY

Part (R1 & R2) Relay

Part (W1 & W3) Power Wire for Relay Coil

a. 9-32V DC Positive (+) Input Wire

Part (W2 & W4) Ground Wire for Relay Coil

a. 9-32V DC Negative (-) Input Wire

Part (C1 & C2) Deutsch Connectors for Lights

a. Attached to 9-32V DC Positive (+) Power Wires

Part (S1) Switch

Part (P1) Switch Plug

DIMMER WIRE:

Do Not connect _____
without authorized
accessories.



TIP: For complete application guide see website

WARNING: Bolts, Nuts, and Washers are Stainless Steel. DO NOT USE Pneumatic or Electric Tools to Tighten and Loosen. The Hardware Will Permanently Lock Together.

MOUNTING INSTALLATION INSTRUCTION

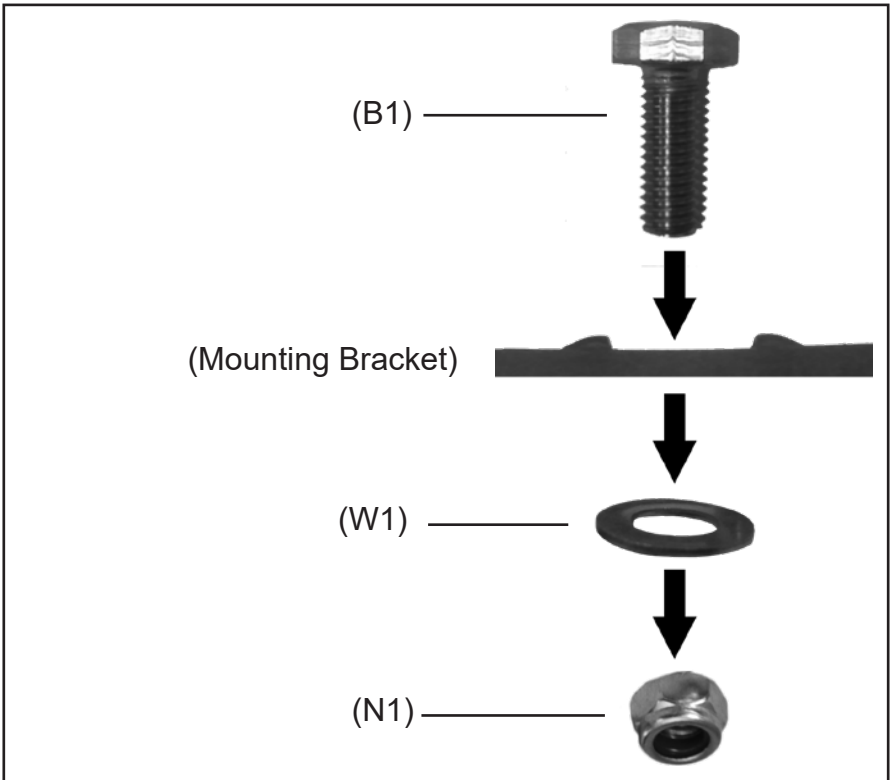
1. Determine where the light/lights will be placed.
2. Place mounting bracket with light to desired location. Using a marker or pick tool, mark the center point of the bolt hole on the mounting surface.
3. Set the light aside. Drill out a large enough hole to fit the [M8] bolt Part (B1).
4. Remove the mounting bracket from the lights by unscrewing the (2) 5mm Allen Head Bolt Part (B2).
5. Line up the mounting bracket with the hole you just drilled, slide the [M8] Bolt (B1) through both.
6. On the other side of mounting surface slide the [M8] Washer Part (W1) and [M8] Nylock Nut Part (N1) onto the [M8] Bolt (B1). Tighten Nut & Bolt to desired tightness.
7. Reassemble the light back on the mounting bracket by reapplying the 5mm Allen Head Bolts (B2). Tighten to desired tightness.

LIGHT ANGLE ADJUSTMENT

1. Use the 5mm Allen Key Part (A1) to loosen the Allen Head Bolts Part (B2) on each light.
2. Adjust the light until you have your desired angle.
3. Tighten the Allen Head Bolts to hold the desired position.

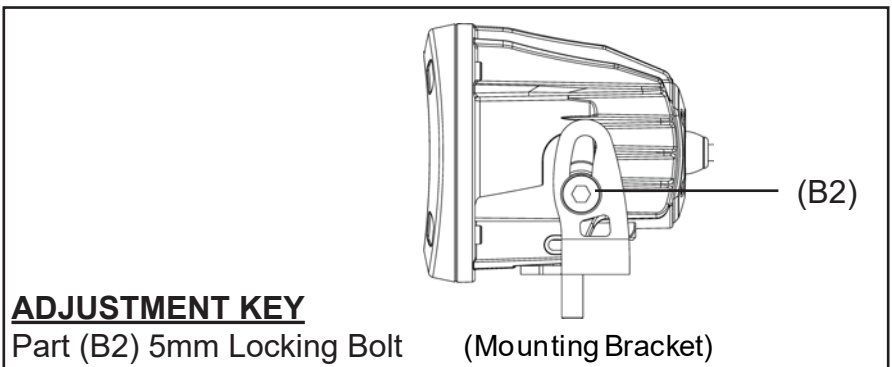
ADDITIONAL INFORMATION

If needed, additional information and related products, as well as a digital copy of these instructions, can be located online at www.visionxusa.com



MOUNTING KEY

- Part (B1) Bolt [M8]
- (Mounting Bracket)
- Part (W1) Washer
- Part (N1) Nut [M8]



ADJUSTMENT KEY

- Part (B2) 5mm Locking Bolt
- (Mounting Bracket)

TIP: For complete application guide see website



You May Also Be Interested In:



Vehicle Specific Fog Lighting Brackets
Visit www.visionxusa.com to see full range.



Part # - 4009257
Item # - XIL-PDIMMER
Dial Knob Dimmer to Adjust
the Light Output of Prime Drive
Anywhere in Between 100% and
50%



Part # - 4009264
Item # - XIL-PDIMMERBUTTON
Push Button Dimmer for Prime
Drive to Switch Between 50%
and 100%



SECURITY NUT
Available in multiple sizes



COVERS
Comes in a variety of colors
and beam patterns



SECURITY BOLT
Available in multiple sizes